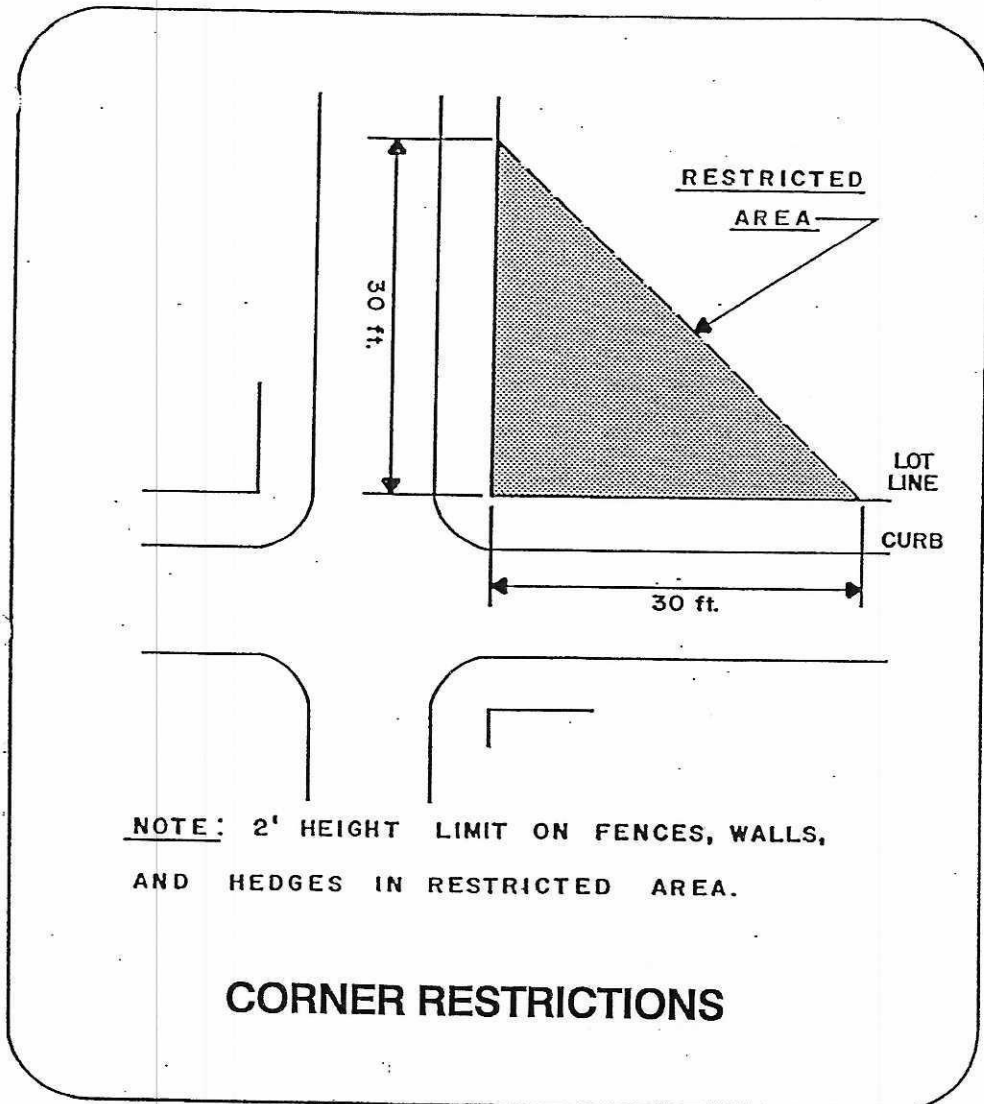


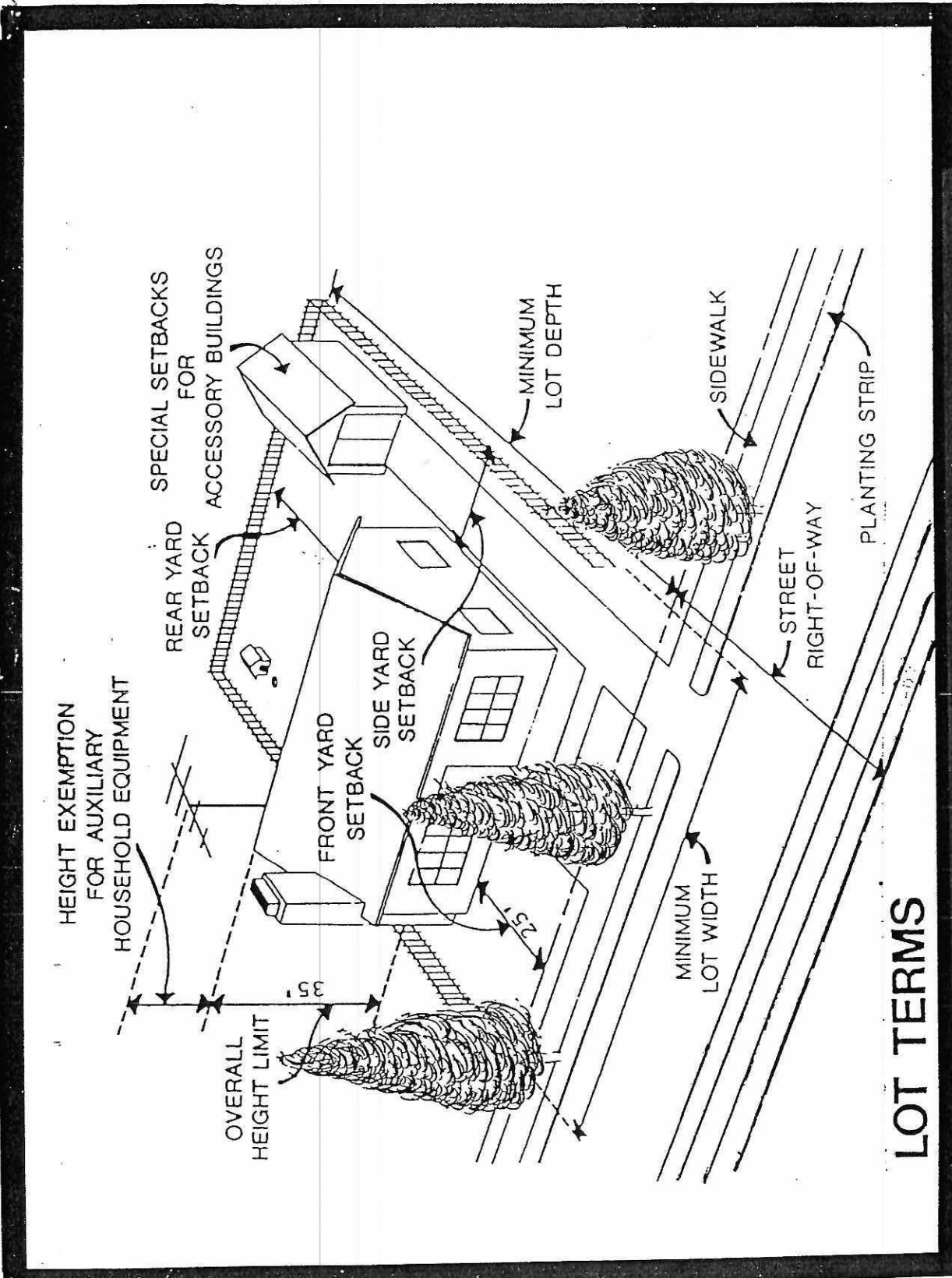
FIGURE 1



CORNERS

SEE SECTION 40-3-13

FIGURE 2

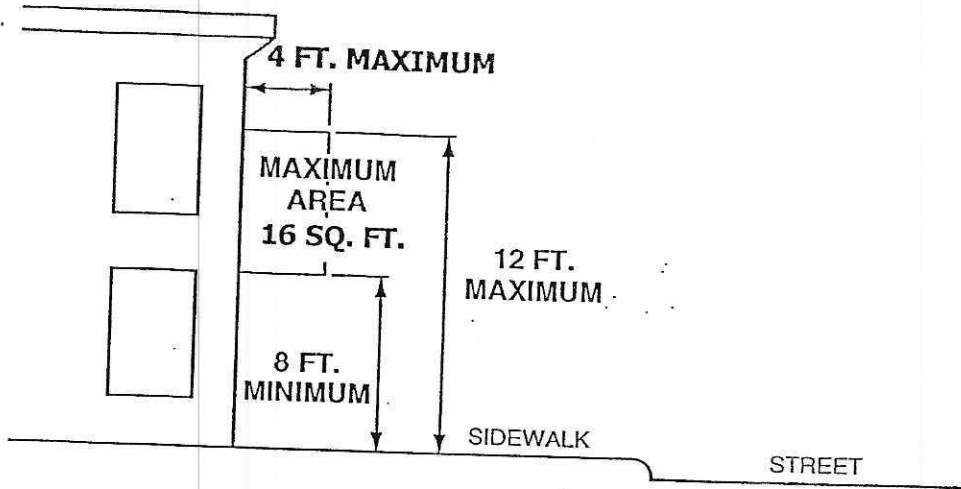


LOT TERMS

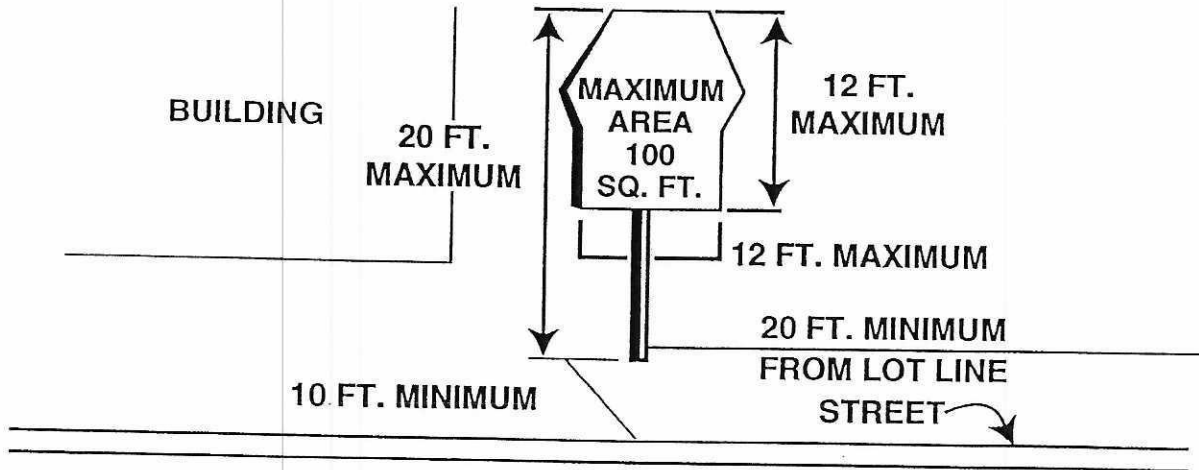
(SEE SECTION 40-2-2 DEFINITIONS)

APPENDIX
SELECTED ILLUSTRATIONS

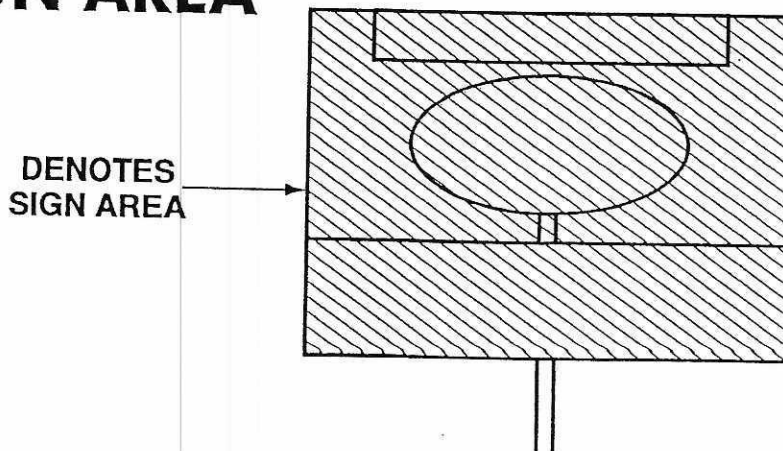
A PROJECTING SIGNS



B FREE STANDING SIGNS



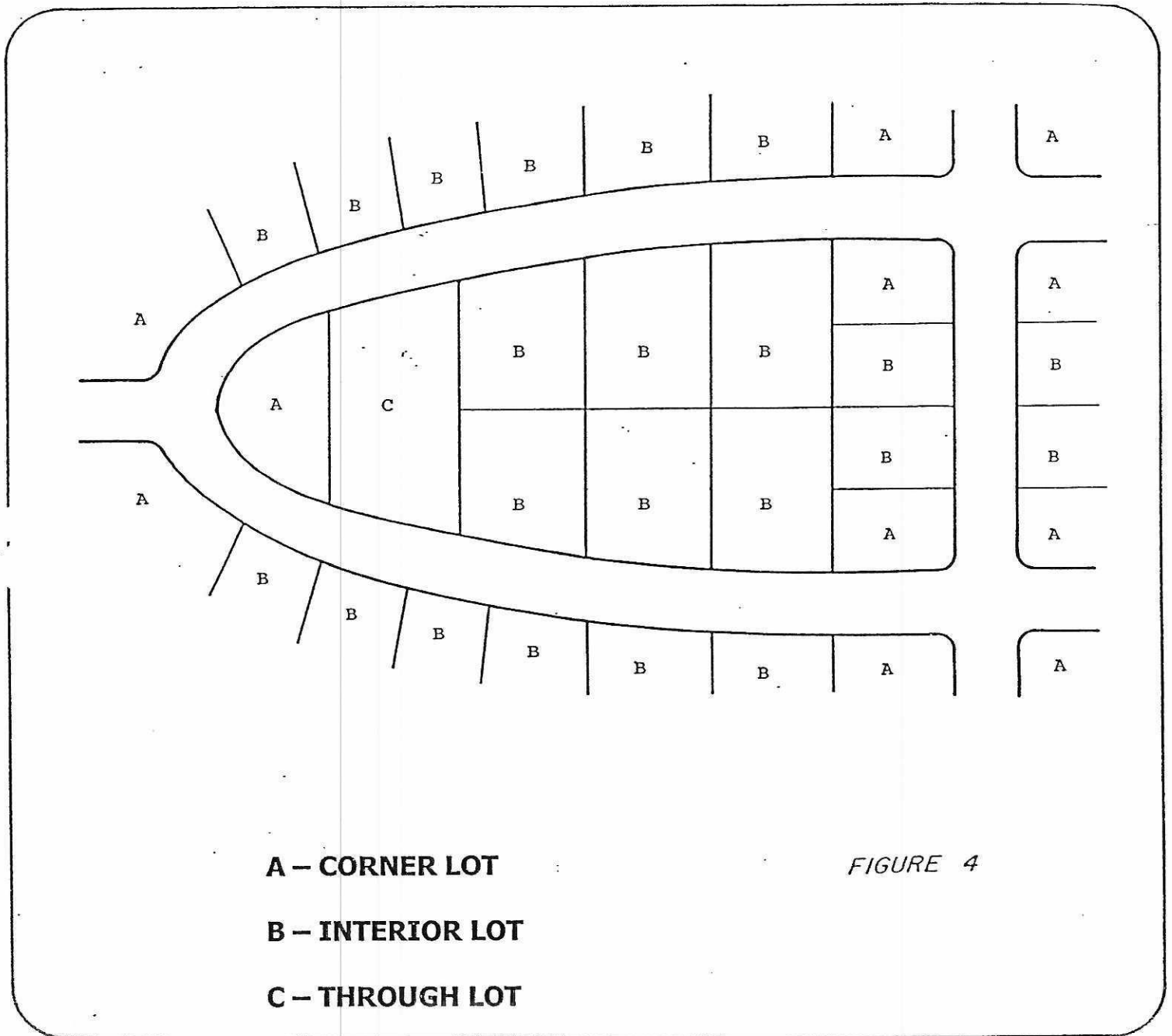
C SIGN AREA



SEE SECTION 40-7-12

FIGURE 3

FIGURE 4



A – CORNER LOT

FIGURE 4

B – INTERIOR LOT

C – THROUGH LOT

LOTS, CORNER